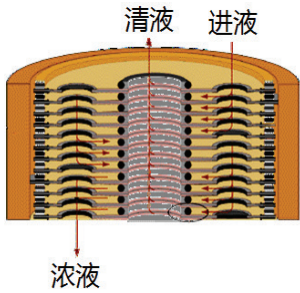


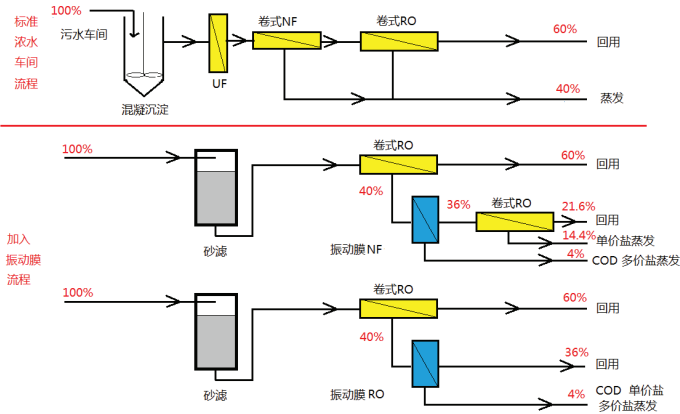
VMAT[®] 能助您达到液体零排放

煤化工RO浓水再浓缩

不投药，不产生污泥
大幅减少多价离子结垢
减少蒸发量
减低蒸发投资
减低蒸发运行成本



5台 i84大唐国际克什克腾旗40亿方煤制天然气项目



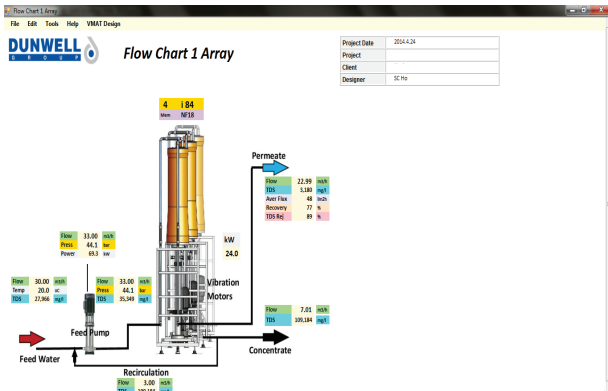
防止结垢技术特点:

-特宽通道，防止通道阻塞
-高频振动，提高膜面剪切力
采用NF/RO，大幅去除低溶解度多价盐

相对蒸发器:

-吨水能耗特低
-吨水投资较低

开发专用软件，快速模拟



VMAT Design		Project Date						
CALCULATE		Project						
Select 2 Array		Client						
CLEAR		Designer						
Out Data								
Array #	Array 1	Array 2	Array 3	Array 4	Array 5	Final Mem	Final Mem	Final Mem
Feed Flow	120.00	34.72	0	0	0	0	0	0
Feed Temp	20.0	20.0	0	0	0	0	0	0
Recovery Recovery	73.1	79	51	0	0	0	0	0
Calc Recovery	73.1	68.8	0	0	0	0	0	0
Membrane type	1398.5	1398.5	0	0	0	0	0	0
VMAT type	i84	i84	AUTO	0	0	0	0	0
No of VMAT	18	0	24	0	0	0	0	0
Recovery Flow	24.00	4.00	0.00	0.00	0.00	0.00	0.00	0.00
Conc Flow	34.72	10.80	0	10.80	0	0	0	0
Permeate Flow	85.28	23.53	0	100.11	0	0	0	0
Feed Pressure	20.5	35.0	0	0	0	0	0	0
Boost Pressure	0.0	17.2	0	0	0	0	0	0
Recovery Flow	42	4.9	0	0	0	0	0	0
Calc Flow	39	33	0	10	0	0	0	0
TDS Rejection	99	98	0	95	0	0	0	0
Total Used Power	190.6	65.0	0	256.37	0	0	0	0
Used Wt Power	100.0	36.0	0	144.00	0	0	0	0
Used Pump Power	82.0	29.0	0	112.00	0	0	0	0
Test Wt Power	350.0	120.0	0	480.0	0	0	0	0
Energy Used/Perm	2.2	2.8	0	2.35	0	0	0	0
Energy Used/Feed	1.8	1.9	0	2.14	0	0	0	0
Use Vibration	Yes	Yes	Yes	Yes	Yes	Yes	Yes	Yes
Scaling factor	50	50	100%	(no scaling)	50	50	50	50
Scale	1	1	1	1	1	1	1	1

正常资源及科技有限公司(生产厂)
香港元朗工业村宏利街8号
www.dunwellgroup.com
info@dunwellgroup.com
(852) 2443 8188

